

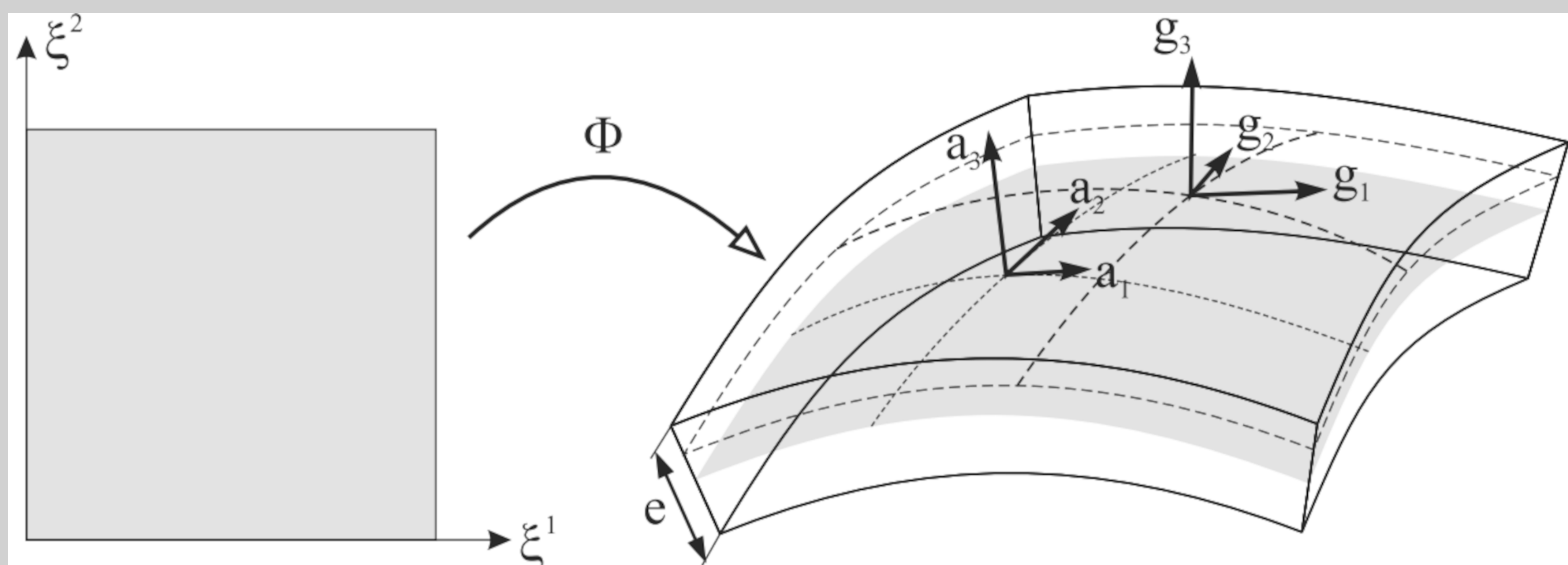


UNIVERSIDAD
DE GRANADA

MÁSTER DE ESTRUCTURAS

SEMINARIO MÁSTER ESTRUCTURAS

THEORETICAL AND NUMERICAL MODELS FOR SHELLS



Dr. Olivier POLIT

Paris Nanterre University, Francia



Día : **Viernes 10 de febrero de 2023**

Hora : **10:00**

Lugar : **Seminario 2. ETSICCP**

Universidad de Granada

<http://masteres.ugr.es/iestructuras/>



UNIVERSIDAD
DE GRANADA

MÁSTER DE ESTRUCTURAS

THEORETICAL AND NUMERICAL MODELS FOR SHELLS

Dr. Olivier POLIT



Olivier Polit is Professor of computational mechanics at Paris Nanterre University, in the LEME laboratory. He works in the field of theoretical and numerical, mainly by finite element (FE), developments for structural mechanics. He is an expert in FE dedicated for heterogeneous (layered, sandwich, including reinforcements) beams, arches, plates and shells in a multi-field environment. These research activities include higher order models using displacement and mixed approaches. He has

developed a national and international network in the field of computational mechanics and is co-author of more than 110 works referenced in orcid. He is the coordinator of the CoqFib project (French Research Agency for financial support).



Universidad de Granada

<http://masteres.ugr.es/iestructuras/>